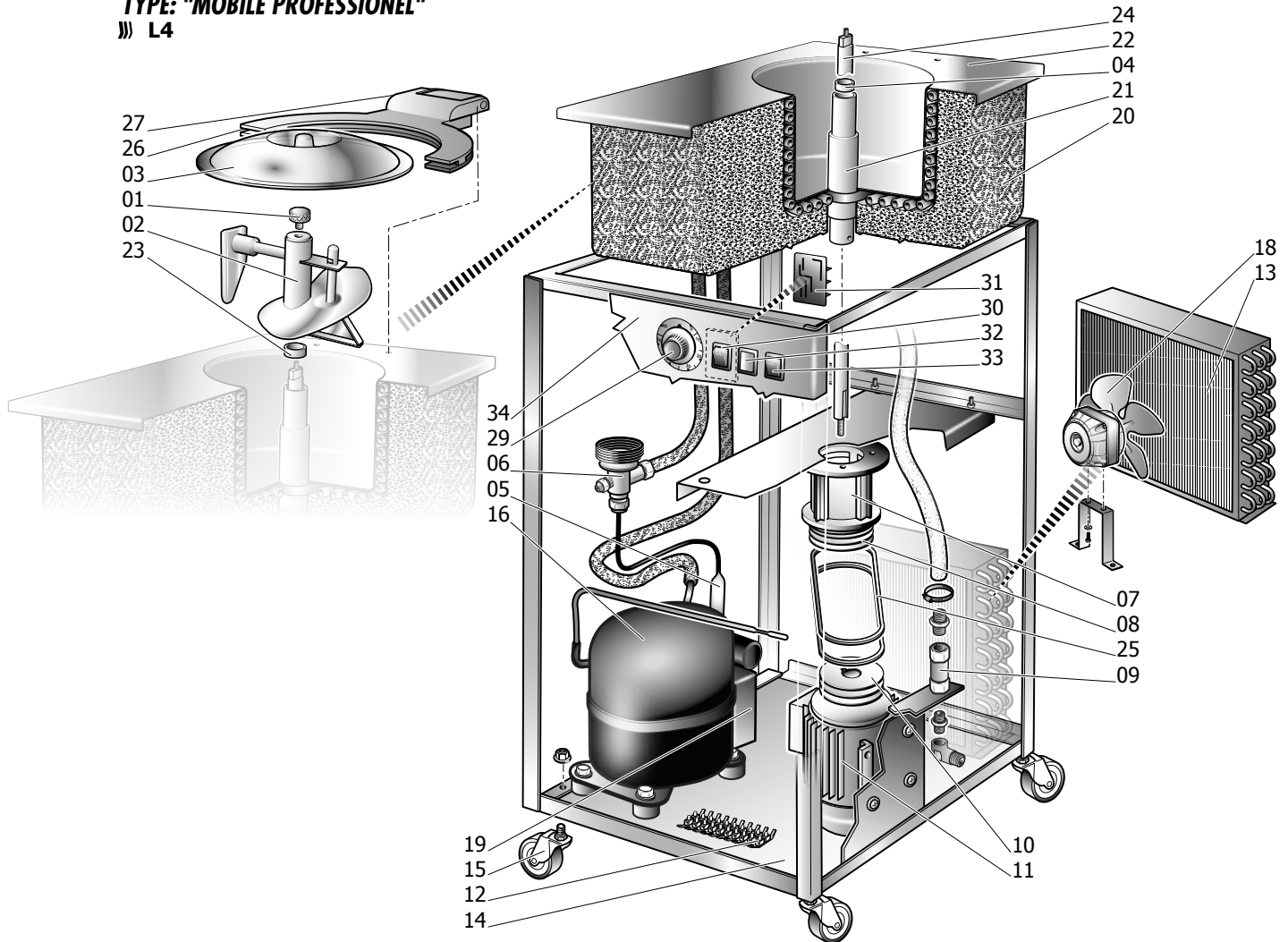


TYPE: "MOBILE PROFESSIONEL"

» L4



NO	DESCRIPTION	NO	DESCRIPTION	NO	DESCRIPTION	NO	DESCRIPTION
01	Paddle Nut	10	Motor Pulley	20	Insulator	29	Timer
02	Paddle	11	Motor	21	Shaft Sleeve	30	6 Poles Churn Switch
03	Lid	12	Junction Box	22	Ss Top Case	31	Safety El. Circuit Boar
04	Shaft Sleeve Bush	13	Fan Motor	23	Paddle Bush	32	Green Switch Ind. Light
05	Filter	14	Base	24	Shaft	33	Chill Switch
06	Thermostatic Valve	15	Wheels	25	Ball Valve	34	Stain Steel Case
07	Complete Gearbox	16	Compressor	26	Stainless Steel Bracket		
08	Gearbox Pulley	18	Condenser	27	Safety Device		
09	Motor Pulley	19	Compr. Electr. Parts	28	Capacitor		